

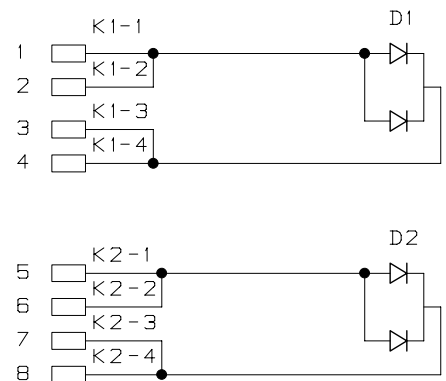
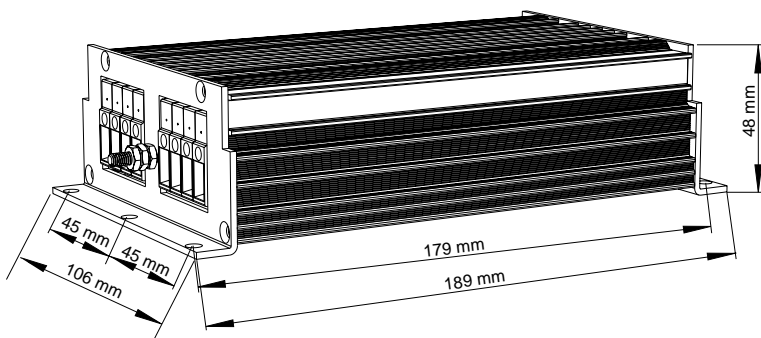
Diode box



	Diode box 24V	Diode box 28-110V	Diode box 90-300V
No of diodes	2	2	2
Max. connected voltage	30Vdc	130Vdc	300Vdc
Max. current each diode	21A	14A	12A
Operating temperature	-25 to +55°C	-25 to +55°C	-25 to +55°C
Dimension (HxWxD)	48x106x189mm	48x106x189mm	48x106x189mm
Isolation in and output to case	2.5 kVdc	2.5 kVdc	2.5 kVdc
Weight	0.47kg	0.47kg	0.47kg

The diode box is an accessory mainly for PU500 models, but can be used with any other DC/DC converter or power supply. The advantage of using the diode box is that the series diode thermal losses can be put outside the converter and there is no need to derate the output current.

The PU500 models don't have built-in series diodes as standard feature. To achieve redundancy, we can either supply this diode box or use built in series diodes. When built-in series diode is used the output current is derated. How much derating, depends on model.



Polyamp AB

Box 229 597 25 Åtvidaberg Sweden

Phone: +46 120 854 00

www.polyamp.com

Fax: +46 120 85 405

E-mail: info@polyamp.se

Elsø Philips Service

Jilemnického 2; 911 01 Trenčín

tel: +421 32 6582410, 7431690

fax: +421 32 6582592

email: elso@elso.sk

web: www.elso.sk