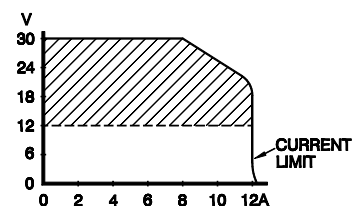




Euro Cassette 6 HE high, 14 TE wide (front panel 16 TE). Is supplied incl. H15 mating connector (faston version), CL15 and 2 pcs H155.

240S - Series 240 W DC POWER SUPPLIES

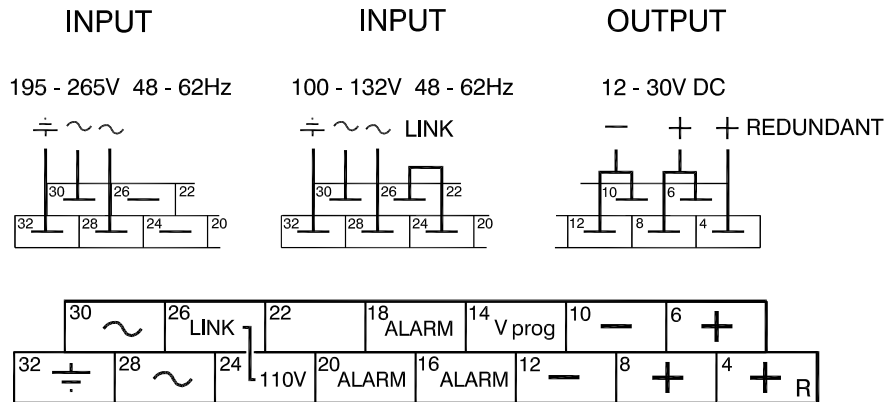
Models	Voltage range	Current range
240 S 24	12 - 15 V	12 A
	24 V	10 A
	30 V	8 A



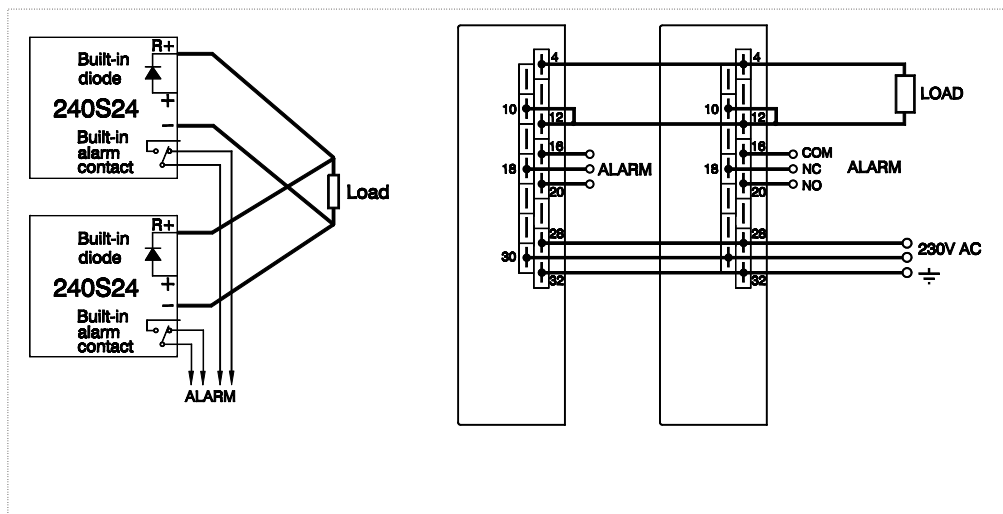
- Output : Adjustable 12 - 30 V with a screwdriver or analog programmable by 2 - 5 V. Factory set at 24 V
- Input : AC 195-265 V, 48-62 Hz, 1.8 Arms
: AC 100-132 V, 48-62 Hz, 3.2 Arms
For DC or operation at 400 Hz contact factory.
Fuse 4 A T at 230 V, 6.3 A at 110 V
- Safety : EN 60950, EN 61010
SELV / PELV
- EMC : EN 61204-3 Low voltage DC power supplies
EN 61000-6-3 (EN55022B) Generic Emissions
EN 61000-6-2 Generic Immunity
- Efficiency : 87% at 240 W output.
(max. heat dissipation 36 W)
- Regulation
Load 0-100% : 50 mV (10 mV when using sense points)
Line 198-265V AC : 10 mV
- Ripple + Noise : 5 mV^{RMS}, 15 mV^{PP}
(BW=20MHZ)
- Temp. coefficient : $5 \cdot 10^{-5}$ per °C
- Stability during 8 hrs : $3 \cdot 10^{-4}$ (after 1 hr warm up)
- Output impedance : 0.1 Ohm up to 100 kHz
- Recovery time : 200 us after 50-100% load step
- Insulation
Input / output : 3750 Vrms (1 min.)
Input / case : 2500 Vrms (1 min.)
Output / case : 500 V DC
- Hold-up time : 20 ms (24V / 10A, 230 V AC input)
- Ambient temperature
Operating : -10 to 50 °C. Above 50 °C derate current linearly to 20% at 80 °C
Storage : -40 to + 85 °C
- Series operation : Up to 500 V total voltage
- Parallel operation : At 90% of max. current
(Internal current limit switch at low).
The extra positive output terminal, via build-in schottky diode, separates the output circuits when units are operated in parallel.
- Alarm circuit : A relay contacts changes when the output drops 10% below the set value. Gold contact, rating max. 100 mA / 30 V.
- Current limit : Constant power limit from 30 to 22 V, constant current below 22 V.
Current limit protects against continuous overload and short circuit.

- OVL : Limits the maximum output voltage at about 33 V.
- Mounting : The 240S24 should be mounted vertically for optimal cooling. When mounted horizontally, put the internal current limit switch at low and keep the ambient temperature below 40 C.
- Remote sensing : The sense points (pin 8 and 10) are internally connected to the + and - output (pin 6 and 12), but these links can be removed when remote sensing is required. The voltage drop across the leads plus the load can never exceed the supply maximum output rating. For example at 24 V-8 A it is possible to compensate 6 V (3V per lead) because the unit can max. 30 V- 8A.
- Remote programming : 2 - 5 V between pin 14 and 10 gives 12 - 30 V output (internal switch in position P). Programming input is not isolated (connected to - output).
- Voltage adjustment : is possible if an internal link and a resistor are removed.
- MTBF : 1.000.000 hrs
- Dimensions en weight :

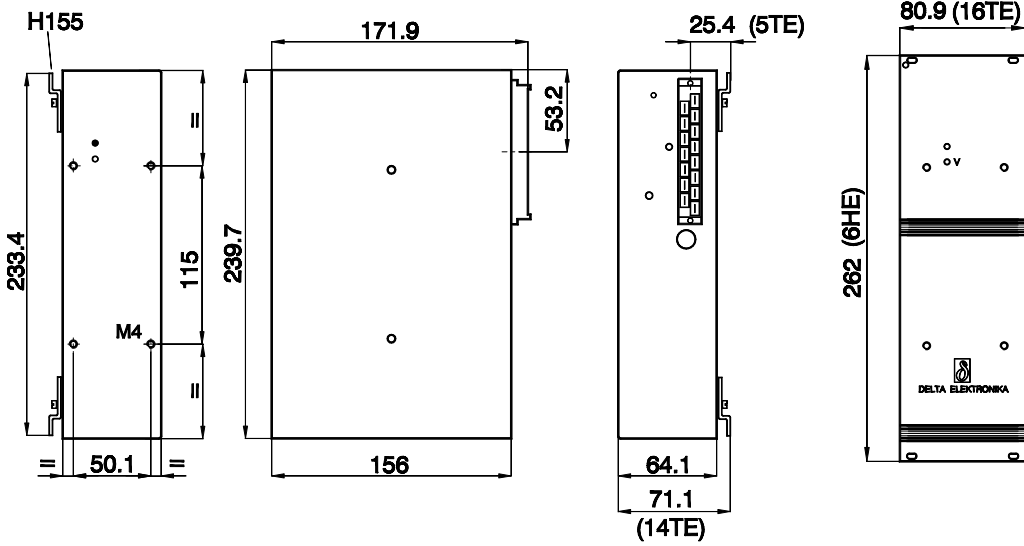
Height	240 mm
Width	71 mm
Depth	156 mm
Weight	2.0 kg



H 15 connector

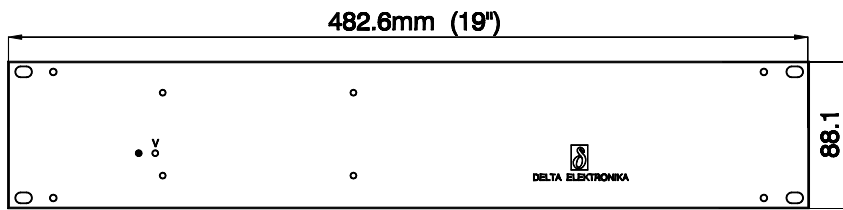


Redundant parallel operation with under voltage alarm. Outputs are separated by the built-in Schottky series diodes.



240S24

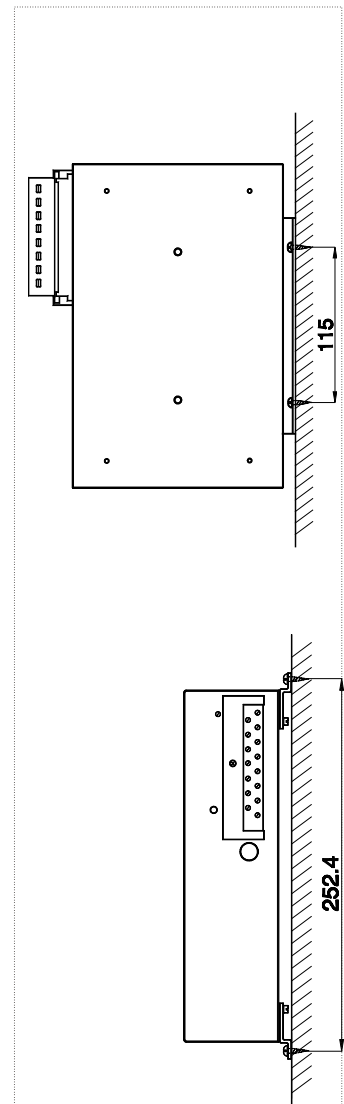
Front panel F 16-6



Front panel F 19/2 for horizontal 19" rack mounting of one unit



240S24 with bench adapter BA 150



Two ways of vertical wall mounting. Mating connector (H15 with faston or screw connections) can be fixed with supplied clamp.